



# Bolt-on & Weld-on EQUIPMENT JACKETING

## High Performance, Reduced Maintenance

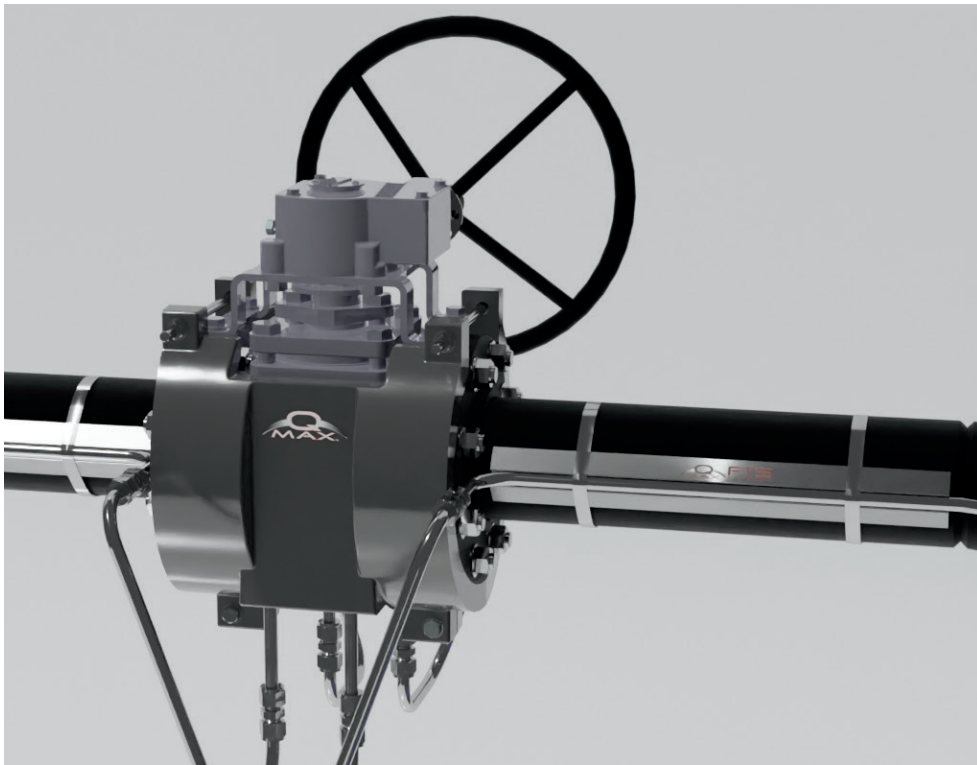
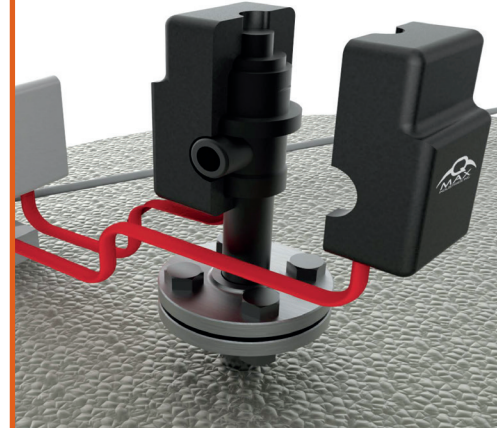
QMax Industries offers the most options for heating process equipment. **QMax Bolt-on Fluid and Electric Heating Jackets** are designed to maintain specific process temperatures on process equipment such as flanges, nozzles, valves, pumps, meters, strainers and more. Each jacket is designed to your specifications, for each piece of process equipment.

**QMax FHJ (Fluid Heating Jackets)** transfer heat energy from heating fluid such as steam into the aluminum jacket and then around the process equipment to create a "heat shield" around the component.

**QMax EHJ (Electric Heating Jackets)** transfer heat energy from an electric cartridge heater into the aluminum jacket and around the process equipment to create a "heat shield" around the component.

**QMax FX (Fabricated Jackets)** are custom fabricated from carbon steel, stainless steel or other alloys using ASME Code welders. They are made to transfer heat energy from heating fluid such as steam or hot oil into the specific piece of process equipment. These can be made as bolt-on jackets or can be welded directly to the equipment.

All of our jackets are specifically designed for your application whether it is a common valve or one-of-a-kind piece of equipment. We will always offer options to best suite your application, schedule and budget.



### QMax Industries

is a technology company based in Charlotte, NC, with several innovations in the field of process heating.

#### Our specialties include:

- > High Performance Steam Tracing
- > High Performance Electric Tracing
- > Equipment Jacketing
- > Tank Heating

**"We commit to simplifying your project with an effective heating solution, keeping every BTU in mind."**

– Thomas W. Perry  
President

tperry@qmaxindustries.com  
704-643-7299



## The QMax Difference

QMax Industries is a small business that makes a big difference for the customers we serve. We provide unique solutions that can reduce your costs while making your operations significantly more reliable and energy efficient. That is our mission.

QMax designs and manufactures innovative process heating systems for industrial piping, vessels, and equipment. Our specialties include high-performance heat tracing, equipment jacketing, and tank heating.

The **QMax FTS** (Fluid Tracing System) has revolutionized the way steam tracing systems are used in many industrial applications around the world. QMax FTS combines performance comparable to jacketed pipe with the flexibility and low cost of a tube tracing system.

Our Tank Heating solutions reliably and cost-effectively maintain process temperatures inside tanks, vessels and other containers. **QFin** is specifically designed for high-viscosity fluids such as Asphalt, Bitumen and Coker Feeds. Its innovative design allows for 1,000% more heated surface area than regular pipe yet allows for easy removal and re-installation if the product cokes on the fins.

### Advantages of QMax Bolt-On Heating Jackets:

- Lower Installed Cost
- Reusable Jacket
- Covers entire component including flanges which are Heat Sinks
- Metallurgy of Jacket is Independent of Component
- Cross-Contamination Risk is Eliminated
- Guaranteed Performance

